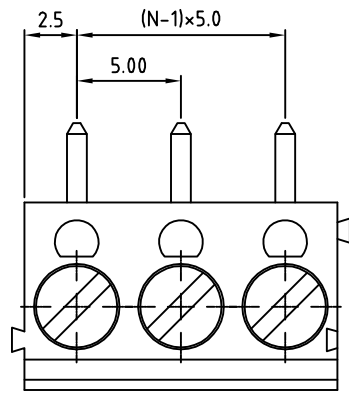
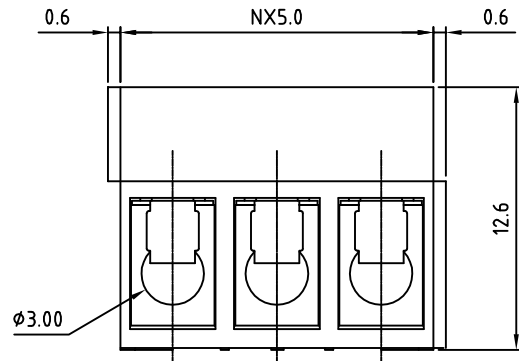


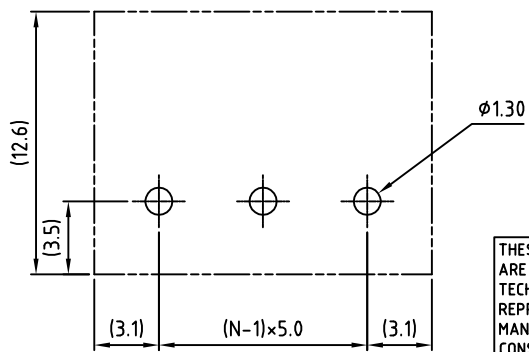
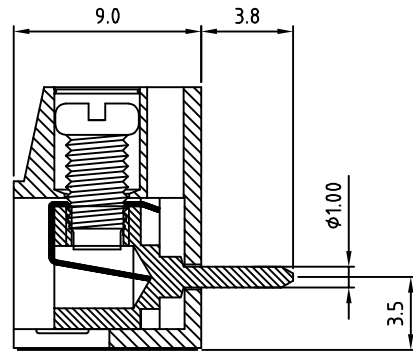
SIGN	DATE	DESCRIPTION	APPROVER
THIS IS CAD DRAWING, DO NOT REVISE MANUALLY!!!			



N=Number of poles



P.C.B. LAYOUT



**Material**

- Terminal body (metal housing): Brass(CuZn)
- Terminal screw: Steel Zinc plating "-" slot type
- Wire guard: Stainless steel
- Surface of solder tail: Tin plated
- Insulator (housing): Thermoplastic (UL94V-0)

**Electrical UL/CSA**

- Voltage rating: 250VAC/250VAC
- Current rating: 16A/16A
- Wire range:
  - Solid wire(AWG): 14/14-22
  - Stranded wire(AWG): 14-22
- Torque: 2.6Lb-In/4Kgf.cm
- Screw: M3
- Wire strip length: 6-7mm
- Withstanding Voltage: 1.5KV/1.5KV
- Operating temperature: -30°C to +105°C
- Soldering temperature: 250°C±10°C/5 Sec
- Safety Approval:



RoHS Compliant

PART NUMBER:

OSTTBXX0161

No. of Poles  
 02 2 Poles  
 03 3 Poles  
 ... ..  
 24 24 Poles

COLOR  
 0: Black  
 5: Green  
 6: Blue (Standard)  
 8: Grey



THESE DRAWINGS AND SPECIFICATIONS ARE THE PROPERTY OF ON-SHORE TECHNOLOGY, INC. AND SHALL NOT BE REPRODUCED, COPIED OR USED IN ANY MANNER WITHOUT THE PRIOR WRITTEN CONSENT OF ON-SHORE TECHNOLOGY, INC.

TITLE		OSTTB 5.0 series 2-Interlock			
PART NO.	OSTTBXX0161	DWG NO.	OSTTBXX0161.DWG		
APPROVED	CHECKED	DESIGNED	DRAWN	CUST NO.	Tolerance
Shi Jun 2006.10.19	Marvin 2006.10.19	Marvin 2006.10.19	Marvin 2006.10.19		X. ±0.50 X.X ±0.30 X.XX ±0.10 X° ±1°
				UNIT: mm	
				SCALE: NONE	
				REV: D	
				SHEET: 01/01	