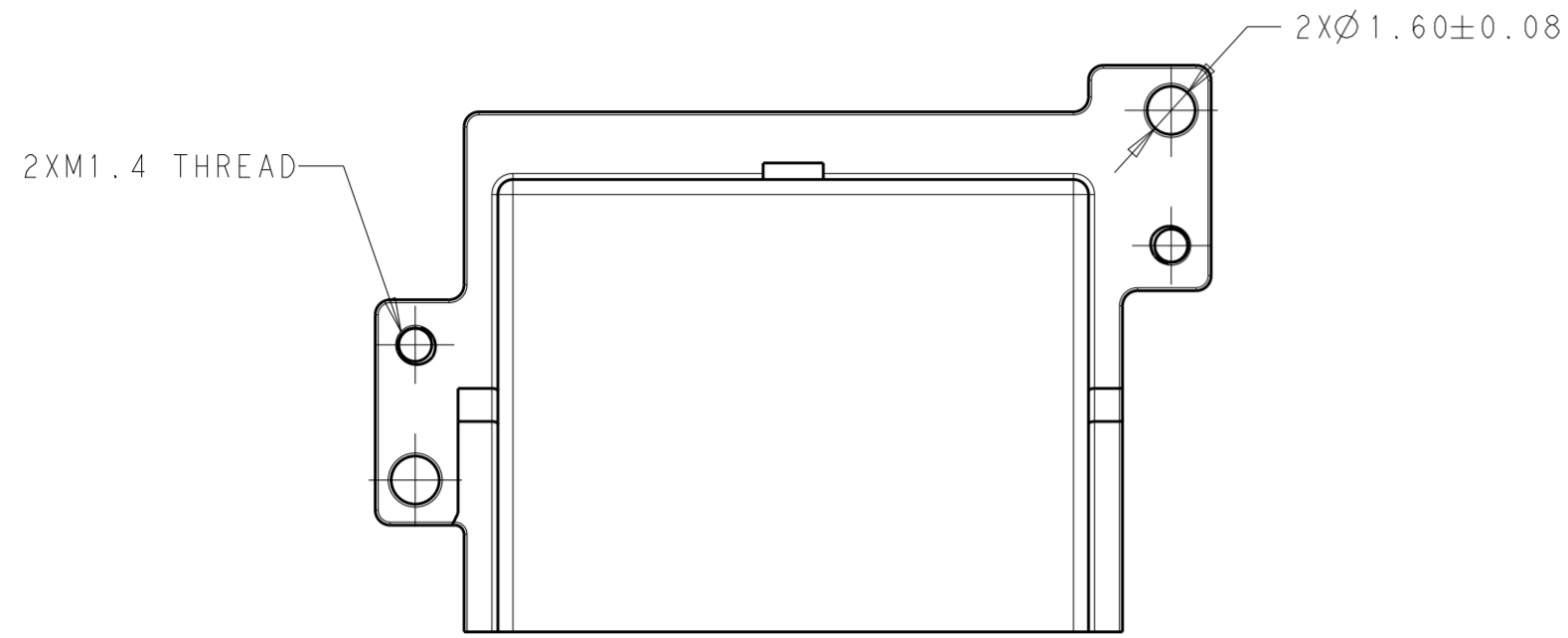
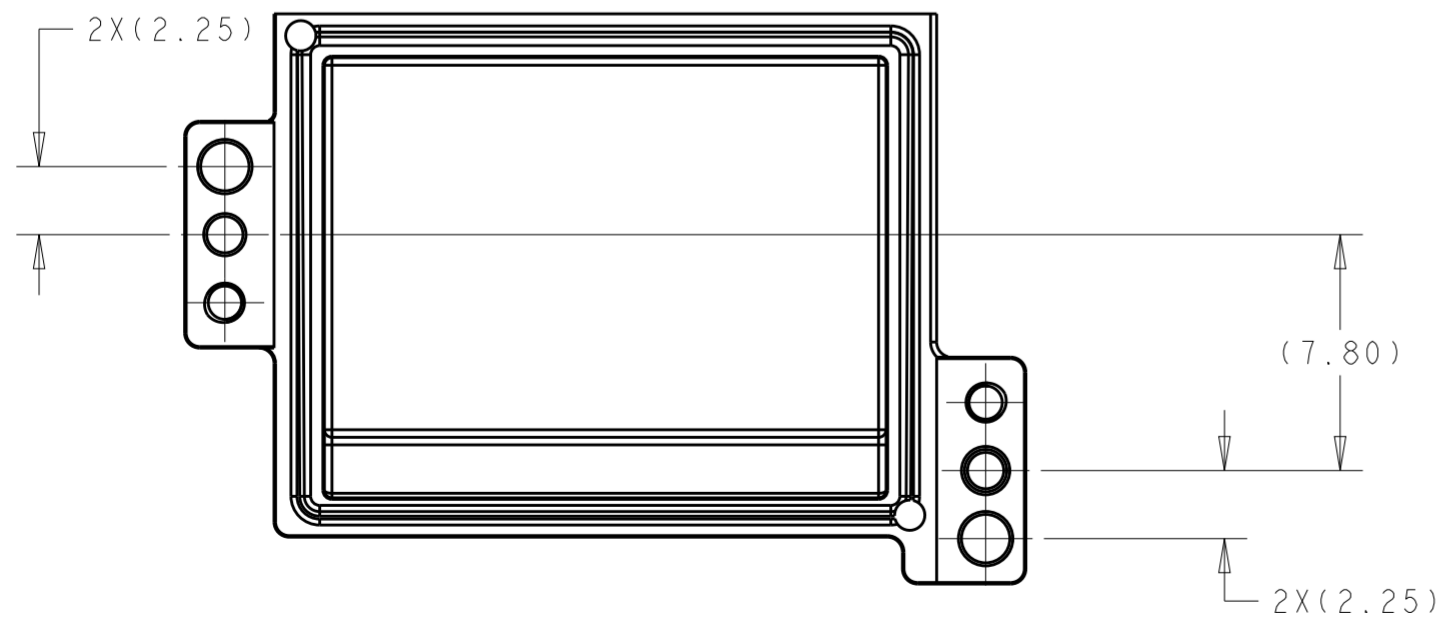
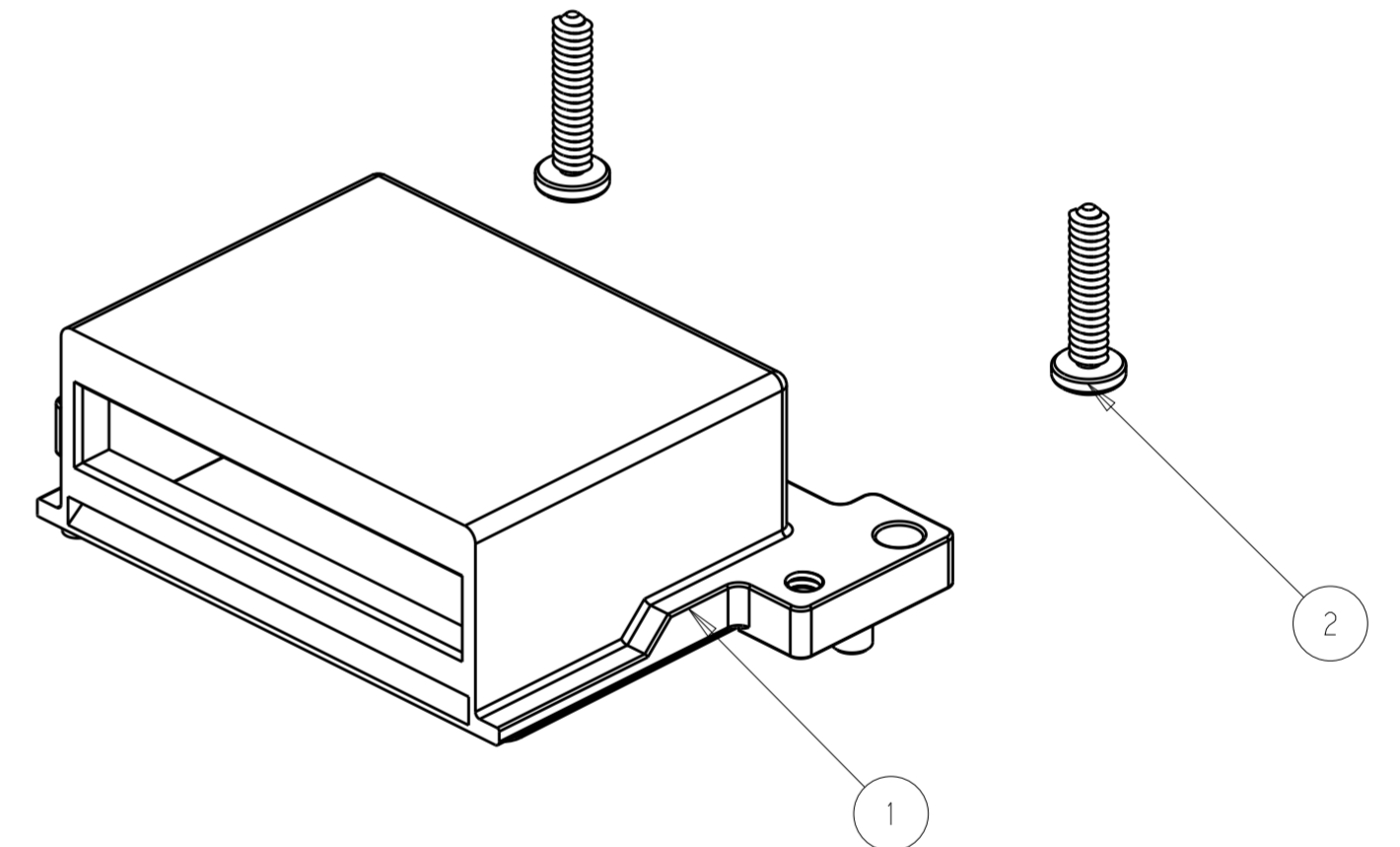
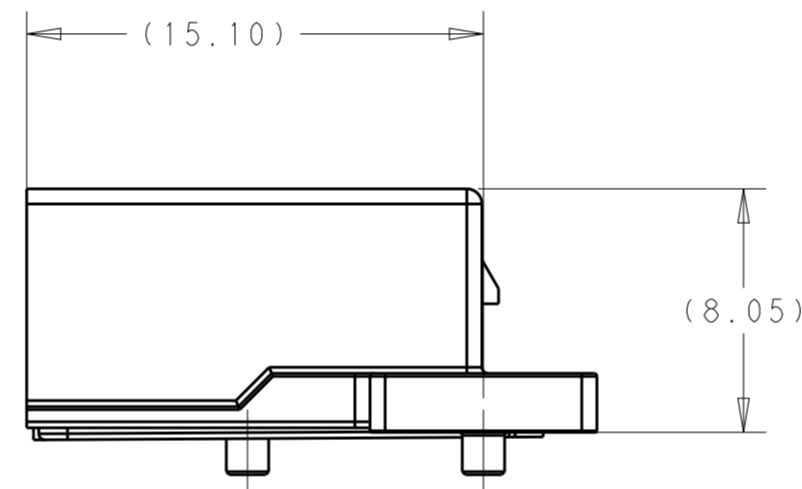
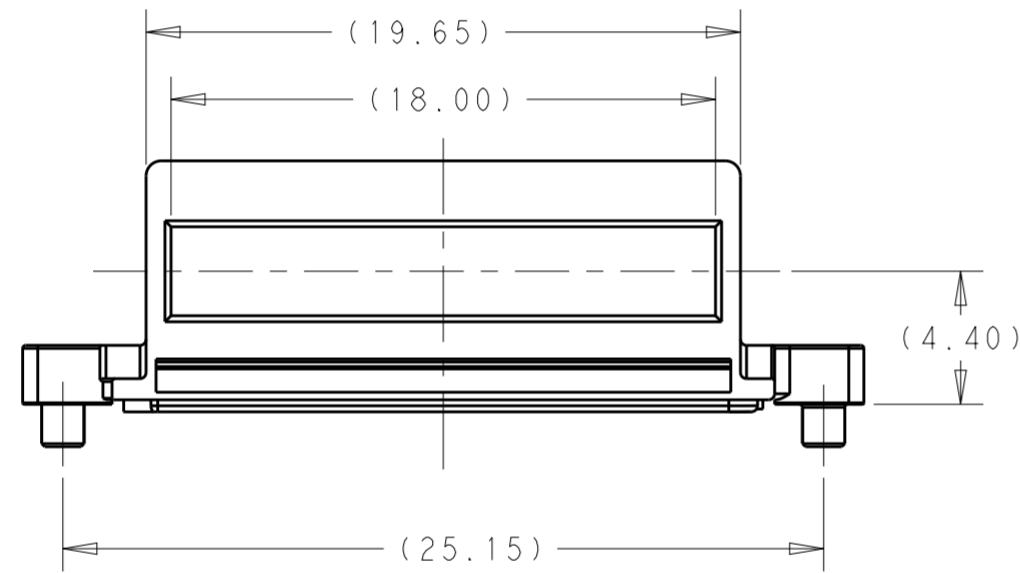


THIS DRAWING IS UNPUBLISHED. RELEASED FOR PUBLICATION 20  
 © COPYRIGHT 20 BY - ALL RIGHTS RESERVED.

REVISIONS				
P	LTR	DESCRIPTION	DATE	APVD
1		PRELIMINARY DRAWING	24MAY2016	AD SH



- 1.MATERIAL:RECEPTACLE COVER:ZNIC ALLOY  
GASKET: SILICON  
SCREW:STAINLESS STEEL
- 2.PLATING: RECEPTACLE COVER:1.27um MIN. NICKEL OVER COPPER PLATING
- 3.MATES WITH MSA COMPLIANT TRANSCEIVERS.
- 4.PACKAGED AS SEPARATED KITS IN ONE BOX .



THIS PRINT IS  
**PRELIMINARY**  
 UNQUALIFIED PRODUCT  
 CONTACT PRODUCT ENGINEERING  
 BEFORE USING THIS PRINT

2	2292789-1	M1.4X6 SCREW	2
1	2288228-1	RECEPTACLE COVER WITH GASKET	1
-1	PART/MATERIAL	DESCRIPTION	ITEM

DIMENSIONS:		TOLERANCES UNLESS OTHERWISE SPECIFIED:		DWN		24MAY2016	
mm		0 PLC	±	ANDY_XIF	24MAY2016	TE Connectivity <b>PRELIMINARY</b>	
		1 PLC	±0.25	CHK	24MAY2016		
		2 PLC	±0.15	SEAN_HAN	24MAY2016		
		3 PLC	±0.10	APVD	24MAY2016		
		4 PLC	±	SEAN_HAN	24MAY2016	NAME	
		ANGLES	±	PRODUCT SPEC		RECEPTACLE COVER WITH SCREW	
		FINISH	±	APPLICATION SPEC		CFP4 1X1	
MATERIAL	-		-	WEIGHT		SIZE	RESTRICTED TO
	-		-	CUSTOMER DRAWING		A2	-
						CAGE CODE	DRAWING NO
						-	©-2304455
						SCALE	SHEET OF REV
						1:1	1 OF 1 1