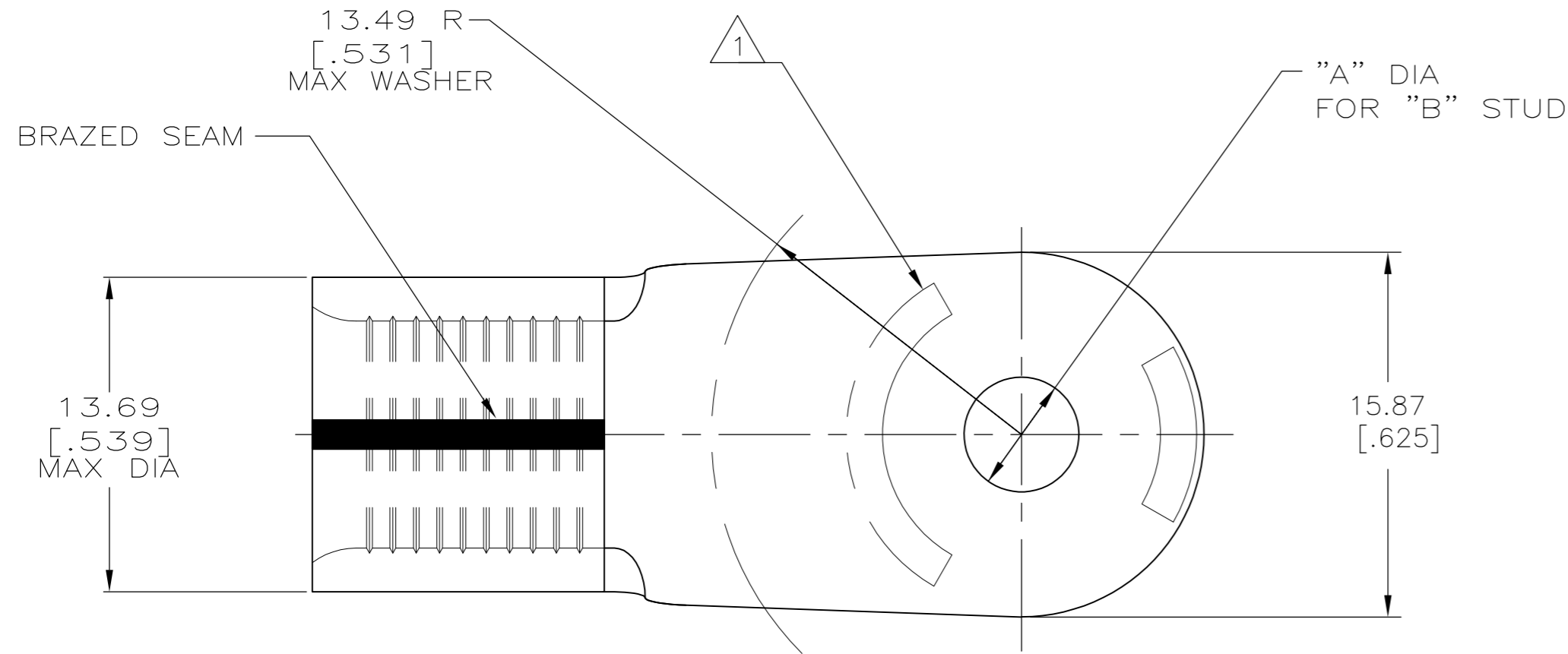


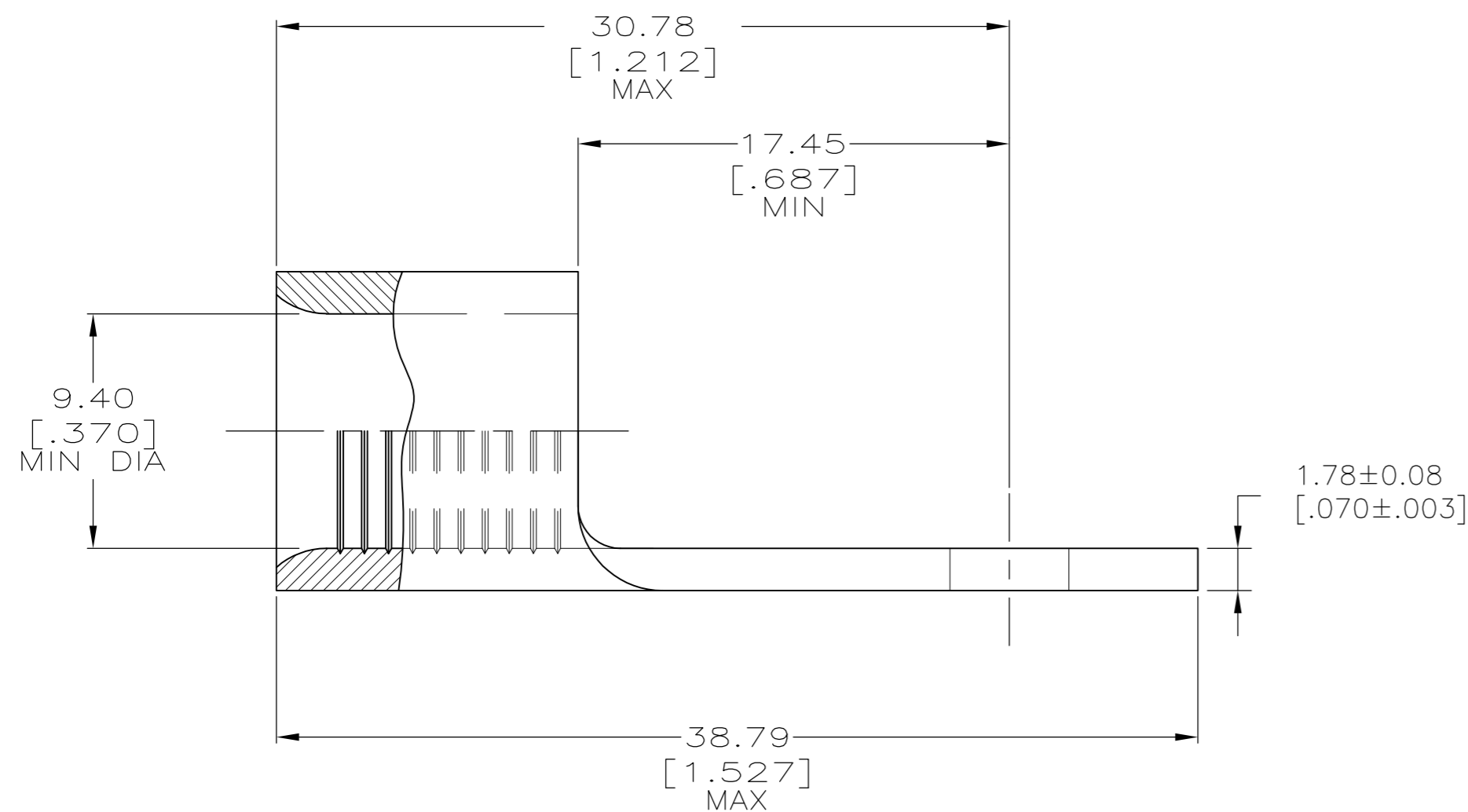
THIS DRAWING IS UNPUBLISHED. RELEASED FOR PUBLICATION
 © COPYRIGHT - By - ALL RIGHTS RESERVED.

| LOC | | DIST | | REVISIONS | | | |
|-----|-----|-------------|--|---------------------------|---------|------|----|
| P | LTR | DESCRIPTION | | DATE | DWN | APVD | |
| G | 14 | C1 | | REVISED PER ECO-12-008535 | 07MAY12 | KH | DR |



| | |
|----------------------------|---------------------------|
| AMP WIRE RANGE | E13288 Listed |
| 2 AWG SOLID OR STRANDED | 2 AWG STRANDED |
| LR7189 Certified | MILITARY P/N AND CLASS |
| 2 AWG SOLID OR STRANDED | MS 20659-146 CLASS 2 |

- STAMP AMP 2W* 60-75 APPROX AS SHOWN
- TIN PLATE 0.00254[.000100] MIN EXT THK PER ASTM B545.
- GOLD PLATE 0.00127[.000050] MIN THK PER MIL-DTL-45204 OVER NICKEL PLATE 0.00076[.000030] MIN THK PER SAE AMS QQ-N-290
- TIN PLATE 0.00254[.000100]MIN EXT THK (WHISKER MITIGATED, LEAD FREE) PER ASTM B545.



| | | | | | |
|-------------|----------|--------------------------|--------------------|--------|----------|
| PRELIMINARY | M5 | 5.20±0.08 [.205±.003] | 170°C[338°F] MAX | | 330301-3 |
| | #10 | 5.00±0.08 [.197±.003] | 260°C[500°F] MAX | | 330301-2 |
| | "B" STUD | "A" DIA | 170°C[338°F] MAX | | 330301 |
| | | | TEMPERATURE RATING | FINISH | PART NO |

AMP INCORPORATED
CUSTOMER SERVICE SYSTEMS

| | | |
|--|--|---|
| FOR ADDITIONAL PRODUCT INFORMATION OR COPIES OF DRAWINGS AND TECHNICAL DOCUMENTS | PRODUCT INFORMATION CENTER 1-800-522-6752 | MAX RECOMMENDED OPERATING TEMPERATURE: SEE TABLE |
| FOR APPLICATION TOOLING INFORMATION | TOOLING ASSISTANCE CENTER 1-800-722-1111 | VOLTAGE RATING: NOT APPLICABLE |
| FOR ORDER ENTRY | 1-800-526-5142 | CIRCULAR MIL AREA: 26.7-42.4mm² [52,600-83,700]CIR MILS SOLID OR STRANDED |

| | |
|---|--|
| THIS DRAWING IS A CONTROLLED DOCUMENT. | |
| DIMENSIONS: mm [INCHES] | TOLERANCES UNLESS OTHERWISE SPECIFIED: |
| | 0 PLC ± - |
| | 1 PLC ± - |
| | 2 PLC ± 0.20[.008] |
| | 3 PLC ± - |
| | 4 PLC ± - |
| | ANGLES ± - |
| MATERIAL COPPER PER ASTM B-152 ANNEALED | FINISH SEE TABLE |

| | | | |
|-----------------------------|------------------------------|-----------------------------|-------------------------|
| DWN DK SCHRUM 04AUG94 | CHK AJ KAUFMAN 08AUG94 | APVD RE ROSER 08AUG94 | NAME TE Connectivity |
| PRODUCT SPEC | APPLICATION SPEC | WEIGHT | SIZE A2 |
| SCALE 4:1 | CAGE CODE 00779 | DRAWING NO C=330301 | RESTRICTED TO |
| CUSTOMER DRAWING | SHEET 1 of 1 | REV C1 | |