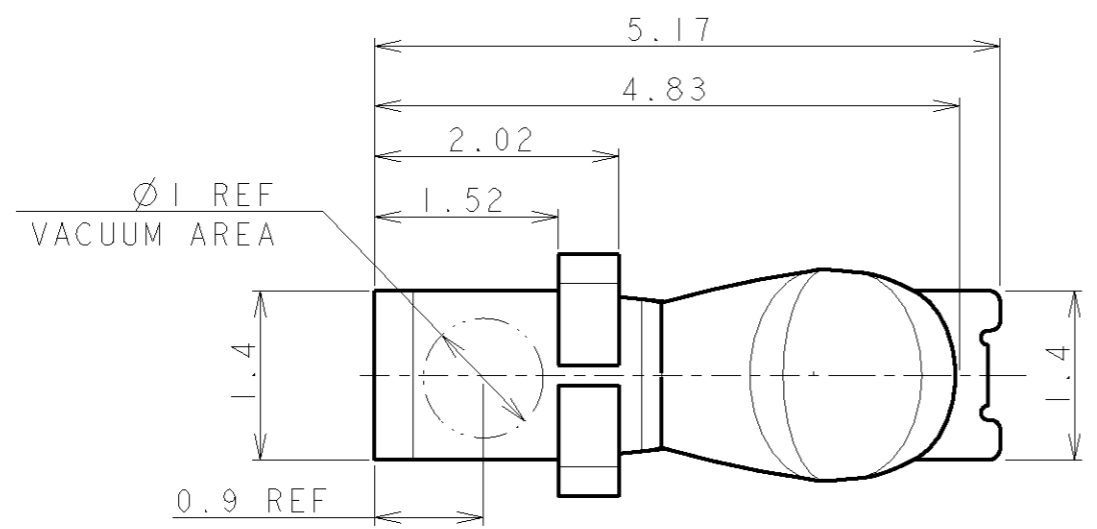
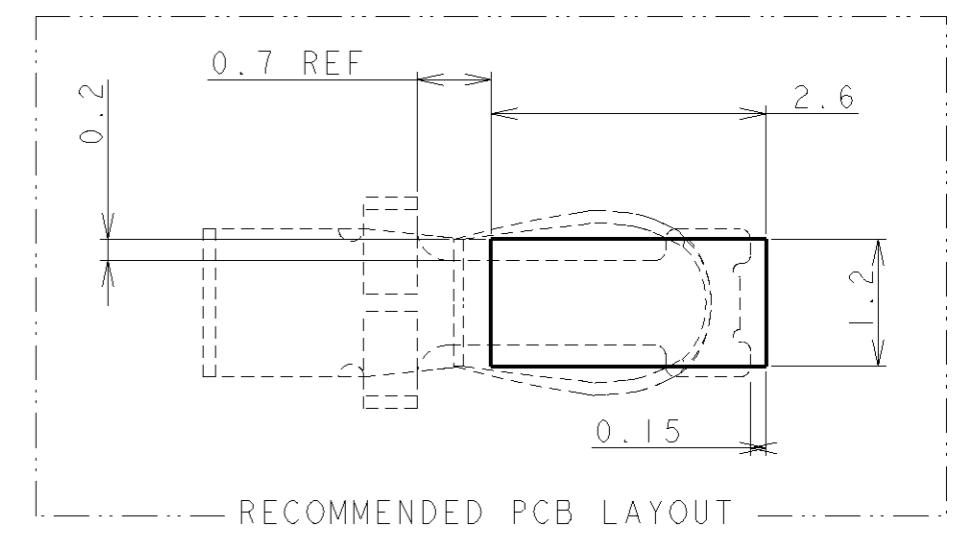
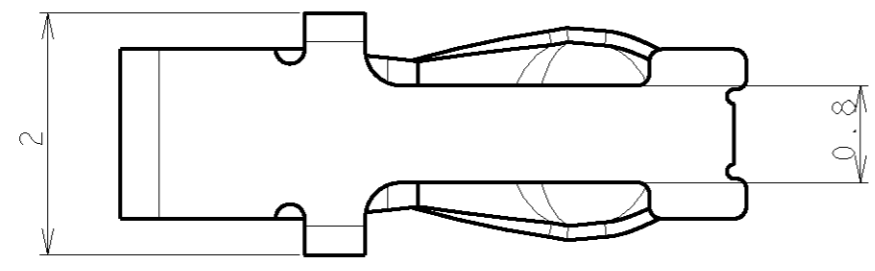
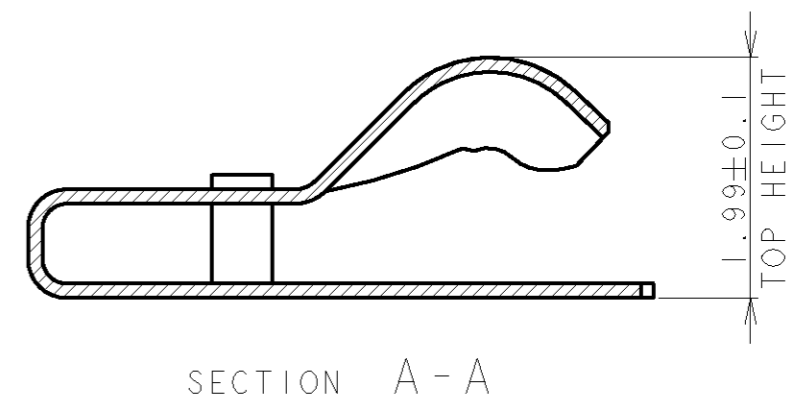
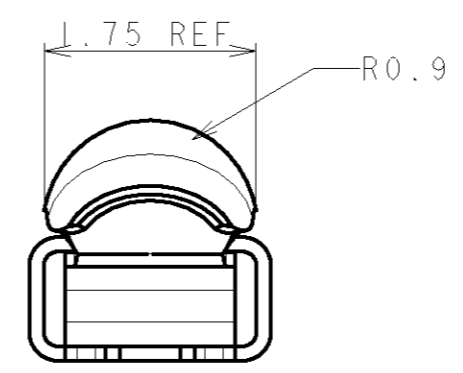
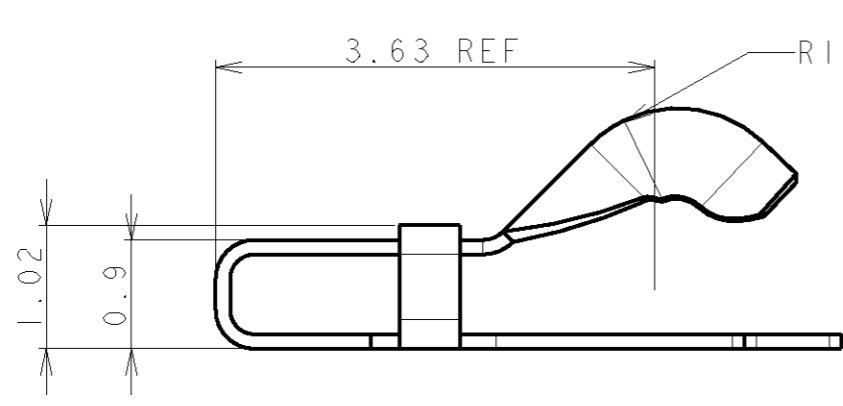
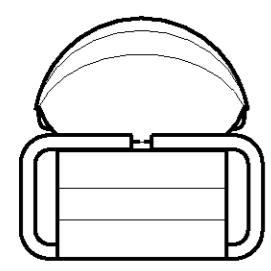


THIS DRAWING IS UNPUBLISHED. RELEASED FOR PUBLICATION 2008
 © COPYRIGHT 2008 BY TYCO ELECTRONICS CORPORATION. ALL RIGHTS RESERVED.

LOC	DIST	REVISIONS 変更			
P	LTR	DESCRIPTION	DATE	DWN	APVD
	A	RELEASED	17JUL2009	C.O	Y.N



AS SHOWN : - 1

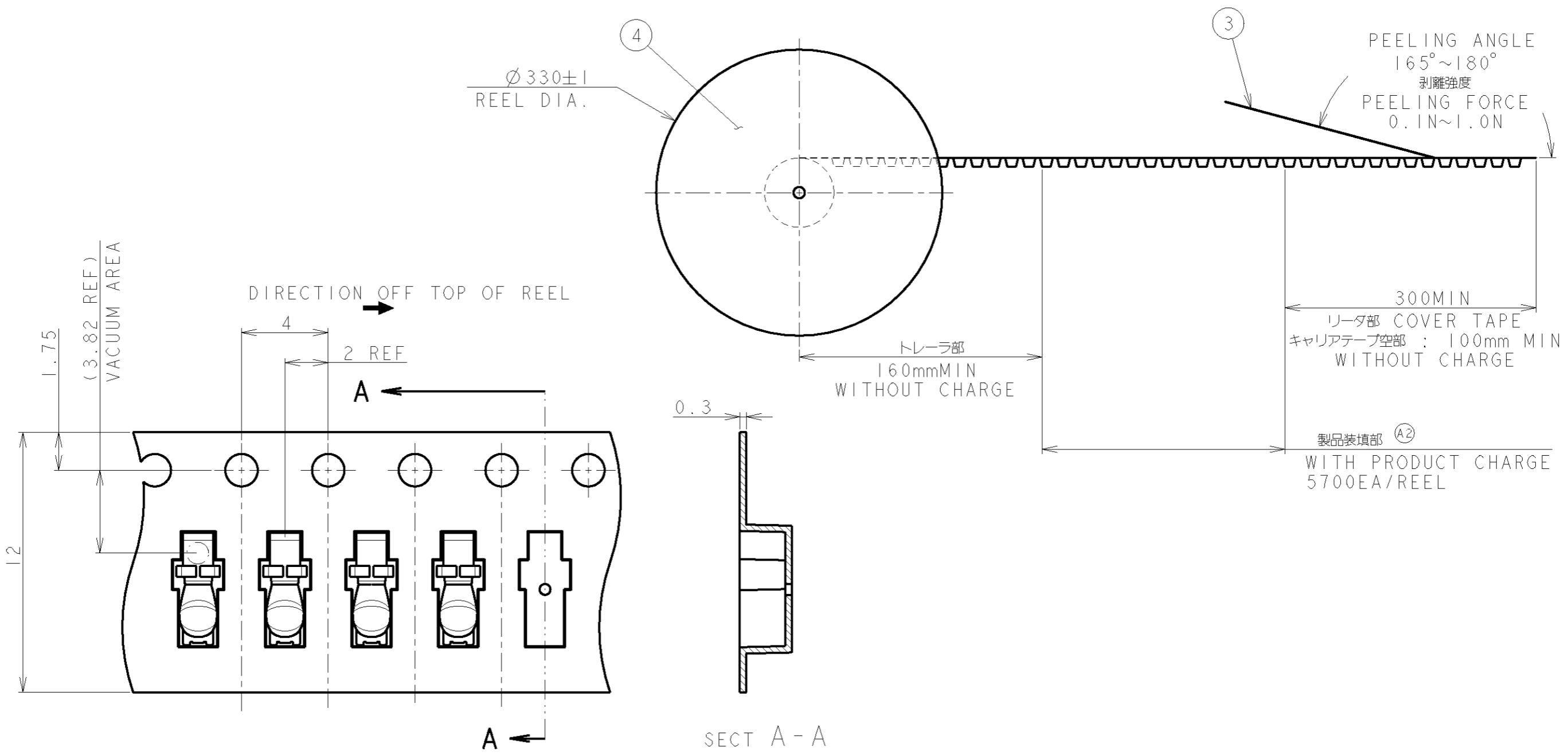


- 1 MATERIAL ELEMENT : COPPER ALLOY, THICKNESS: 0.12mm
- 2 FINISH ELEMENT : SOLDERING TINE SURFACE Au PLATING; 0.0005mmMIN.
CONTACT AREA Au PLATING; 0.00025mmMIN.
ALL OVER NICKEL PLATING.

THIS DRAWING IS A CONTROLLED DOCUMENT FOR TYCO ELECTRONICS CORPORATION IT IS SUBJECT TO CHANGE AND THE CONTROLLING ENGINEERING ORGANIZATION SHOULD BE CONTACTED FOR THE LATEST REVISION.		DWN C.OHASHI 17JUL2009	Tyco Electronics Tyco Electronics Corporation Kawasaki, Japan	
DIMENSIONS: 単位: 概 mm		CHK Y.NAKAZAWA 17JUL2009	NAME SHIELD FINGER 199 14	
TOLERANCES UNLESS OTHERWISE SPECIFIED: 一般公差 ±0.15 0-PLC ± 1-PLC ± 2-PLC ± 3-PLC ± 4-PLC ± ANGLES ±1°		APVD Y.NAKAZAWA 17JUL2009	RESTRICTED TO -	
MATERIAL 材料 Copper Alloy		FINISH 仕上 Ni, Au	PRODUCT SPEC 製品規格 108-XXXXX	APPLICATION SPEC 取付適用規格 114-XXXXX
		WEIGHT 0.02g	SIZE A300779	DRAWING NO C=2040761
		CUSTOMER DRAWING	SCALE 16:1	SHEET 1 OF 2 REV A

THIS DRAWING IS UNPUBLISHED. RELEASED FOR PUBLICATION 2008
 © COPYRIGHT 2008 BY TYCO ELECTRONICS CORPORATION. ALL RIGHTS RESERVED.

LOC	DIST	REVISIONS					
J		P	LTR	DESCRIPTION	DATE	DWN	APVD
		-		SEE SHEET 1	-	-	-



THIS DRAWING IS A CONTROLLED DOCUMENT FOR TYCO ELECTRONICS CORPORATION IT IS SUBJECT TO CHANGE AND THE CONTROLLING ENGINEERING ORGANIZATION SHOULD BE CONTACTED FOR THE LATEST REVISION.		DWN 17JUL2009 C. OHASHI		Tyco Electronics Corporation Kawasaki, Japan	
DIMENSIONS: 単位: 概 mm		TOLERANCES UNLESS OTHERWISE SPECIFIED: 一般公差 ± 0.2 0-PLC \pm 1-PLC \pm 2-PLC \pm 3-PLC \pm 4-PLC \pm ANGLES $\pm 1^\circ$		CHK 17JUL2009 Y. NAKAZAWA APVD 17JUL2009 Y. NAKAZAWA	
		PRODUCT SPEC 製品規格 108-XXXX		NAME 名称 SHIELD FINGER 199 14	
MATERIAL 材料 Copper Alloy		FINISH 仕上 Ni, Au		APPLICATION SPEC 取付適用規格 114-XXXX	
		WEIGHT 0.02g		SIZE A300779	
		CUSTOMER DRAWING		DRAWING NO 番号 C=2040761	
		SCALE 尺度 16:1		RESTRICTED TO -	
		SHEET 2 OF 2		REV A	